

Mechanical Dimensions of Measuring Lenses

Lenses with a focal lengths of 25 to 35 mm

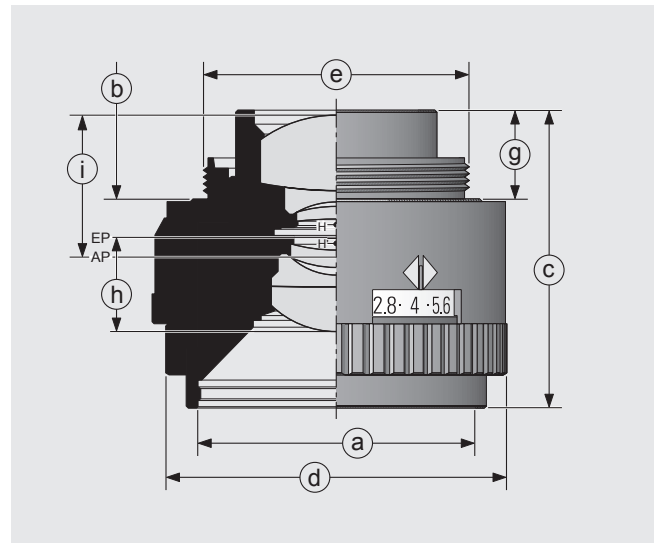
- mounting thread M32.5 x 0.5
- adapter ring M39 x 1/26" included

Lenses with a focal lengths of 40 to 105 mm

- mounting thread M39 x 1/26" (Leica mount)

► Please refer to the next page for specifications about the filter thread.

► The dimensions "i" and "h" are not indicated in the chart.



Rodagon 1:2.8 / 50 mm
6 lenses in 4 groups; diaphragm mount size 0

Lens (Aperture ratio / Focal length)	Support dimensions for ∞	Lens length	max. Lens ∅ without flange	Thread	Surface-focal plane distance to the rear
	b	c	d	e	g
Rogonar-S 1:4 / 25 mm	23.0 mm	28.0 mm	40.5 mm	M32.5x0.5"	4.5 mm
Rogonar-S 1:4 / 35 mm	34.0 mm	28.0 mm	40.5 mm	M32.5x0.5"	4.6 mm
Rogonar-S 1:2.8 / 50 mm	47.0 mm	37.5 mm	50.0 mm	M39x1/26"	6.5 mm
Rogonar-S 1:4.5 / 60 mm	52.5 mm	36.5 mm	50.0 mm	M39x1/26"	5.9 mm
Rogonar-S 1:4.5 / 75 mm	65.5 mm	36.5 mm	50.0 mm	M39x1/26"	5.9 mm
Rogonar-S 1:4.5 / 90 mm	80.0 mm	36.5 mm	50.0 mm	M39x1/26"	5.9 mm
Rogonar-S 1:4.5 / 105 mm	95.0 mm	36.5 mm	50.0 mm	M39x1/26"	5.9 mm
Rodagon 1:4 / 28 mm	27.7 mm	30.0 mm	40.5 mm	M32.5x0.5"	6.7 mm
Rodagon 1:4 / 35 mm	35.6 mm	32.5 mm	40.5 mm	M32.5x0.5"	9.0 mm
Rodagon 1:2.8 / 50 mm	43.5 mm	43.5 mm	50.0 mm*	M39x1/26"	13.0 mm
Rodagon 1:4 / 60 mm	56 mm	41.0 mm	50.0 mm*	M39x1/26"	10.0 mm
Rodagon 1:4 / 80 mm	74.7 mm	44.5 mm	50.0 mm*	M39x1/26"	13.5 mm
Rodagon 1:5.6 / 105 mm	99.5 mm	41.0 mm	50.0 mm*	M39x1/26"	10.5 mm
Rodagon-WA 1:4 / 40 mm	36.5 mm	37.2 mm	50.0 mm*	M39x1/26"	6.5 mm
Rodagon-WA 1:4 / 60 mm	55.5 mm	41.0 mm	50.0 mm*	M39x1/26"	10.0 mm
Rodagon-WA 1:4 / 80 mm	77.0 mm	44.0 mm	50.0 mm*	M39x1/26"	13.0 mm
Apo-Rodagon-N 1:2.8 / 50 mm	46.0 mm	46.5 mm	50.0 mm*	M39x1/26"	15.7 mm
Apo-Rodagon-N 1:4 / 80 mm	77.0 mm	43.0 mm	50.0 mm*	M39x1/26"	12.2 mm
Apo-Rodagon-N 1:5.6 / 105 mm	99.1 mm	54.3 mm	50.0 mm*	M39x1/26"	18.0 mm
Apo-Rodagon-D 1:4 / 75 mm	136.7mm at M=1x	53.0 mm	50.0 mm*	M39x1/26"	18.7 mm
Apo-Rodagon-D 2x 1:4.5 / 75 mm	109.4 mm at M=2x	43.0 mm	50.0 mm*	M39x1/26"	12.5 mm

* Lever for switching between half-stage locking and continuous diaphragm aperture settings protrudes 2 mm above the mount of the 50-mm ∅.

Various Lens Types for Different Requirements

- **Rogonar-S**
Inexpensive lens with good imaging performance.
Optimal price/performance ratio.
- **Rodagon**
High-performance lens featuring a highly consistent imaging quality and broad magnification range.
- **Rodagon-WA**
High-performance lens with extended viewing angle (shorter focal length for the same image field possible).
- **Apo-Rodagon-N**
Apochromatically corrected lens designed to meet the highest requirements in an especially broad magnification range.
- **Apo-Rodagon-D**
Apochromatically corrected special lens designed to meet the highest requirements for magnifications from 1:5 to 1:3.

The following table shows which magnifications can be obtained using "Modular Focus" and one or several extension tubes along with the individual measuring lenses.

Obtainable magnification ranges (related to C-mount adapter)

Specifications	Image circle \varnothing at 1: ∞ and fully open diaphragm	Filter thread a	Part No.
Tube length (lens up to C-Mount)			
Support dimension (lens up to CCD)			
Lens (Aperture ratio / Focal length)			
Rogonar-S 1:4 / 25 mm	18 mm	M30.5x0.5	208.0025.001.000
Rogonar-S 1:4 / 35 mm	25 mm	M30.5x0.5	208.0035.001.000
Rogonar-S 1:2.8 / 50 mm	35 mm	M40.5x0.5	208.0050.001.000
Rogonar-S 1:4.5 / 60 mm	45 mm	M40.5x0.5	208.0060.001.000
Rogonar-S 1:4.5 / 75 mm	55 mm	M40.5x0.5	208.0075.001.000
Rogonar-S 1:4.5 / 90 mm	65 mm	M40.5x0.5	208.0090.001.000
Rogonar-S 1:4.5 / 105 mm	75 mm	M40.5x0.5	208.0105.001.000
Rodagon 1:4 / 28 mm	25 mm	M30.5x0.5	270.0028.001.040
Rodagon 1:4 / 35 mm	30 mm	M30.5x0.5	270.0035.001.040
Rodagon 1:2.8 / 50 mm	40 mm	M40.5x0.5	270.0051.001.040
Rodagon 1:4 / 60 mm	50 mm	M40.5x0.5	270.0060.001.040
Rodagon 1:4 / 80 mm	65 mm	M40.5x0.5	270.0081.001.040
Rodagon 1:5.6 / 105 mm	80 mm	M40.5x0.5	270.0105.001.040
Rodagon-WA 1:4 / 40 mm	35 mm	M40.5x0.5	277.0040.001.040
Rodagon-WA 1:4 / 60 mm	55 mm	M40.5x0.5	277.0060.001.040
Rodagon-WA 1:4 / 80 mm	75 mm	M40.5x0.5	277.0080.001.040
Apo-Rodagon-N 1:2.8 / 50 mm	40 mm	M40.5x0.5	275.0050.001.040
Apo-Rodagon-N 1:4 / 80 mm	70 mm	M40.5x0.5	275.0080.001.040
Apo-Rodagon-N 1:5.6 / 105 mm	80 mm	M40.5x0.5	275.0105.001.040
Apo-Rodagon-D 1:4 / 75 mm	80 mm (at 1:1)*	M40.5x0.5	273.0075.001.040
Apo-Rodagon-D 2x 1:4.5 / 75 mm	80 mm (at 1:2)*	M40.5x0.5	273.0075.002.040

* optimized for this imaging ratio