

F-Mount lenses

XENON-EMERALD

Many camera manufacturers are using the F-Mount bayonet as the camera/lens interface of their high resolution area and line scan cameras. Schneider-Kreuznach has addressed this topic with the two new lenses XENON EMERALD 2.2/50mm and 2.8/100mm. These low distortion lenses with an image circle diameter of 43.2mm are compact, robust, lockable in distance and aperture, designed for close up range and optimized for a uniform image quality over the whole sensor area. The 400-1000nm broadband coating makes them suitable for applications in the visible and the infrared spectrum. And the option of alternative mounts like e.g. Canon bayonet or M42 thread makes them even more flexible for a wide range of applications in machine vision, quality control, web inspection and other image processing applications.



XENON-EMERALD 2.2/50

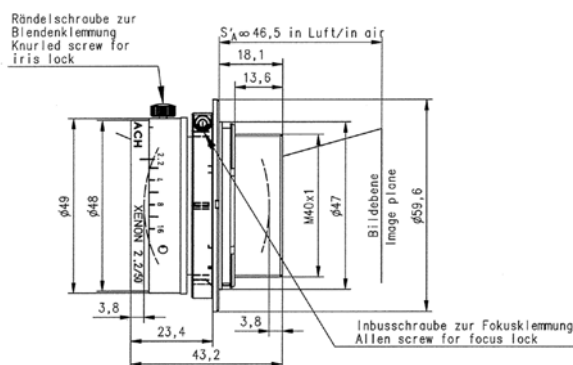
Key Features

- Robust mechanics for industrial environment
- Compact and low weight
- Focus and iris setting lockable
- Coating 400 - 1000 nm
- Corrected for close up range
- Constant MTF over the entire image field

Applications

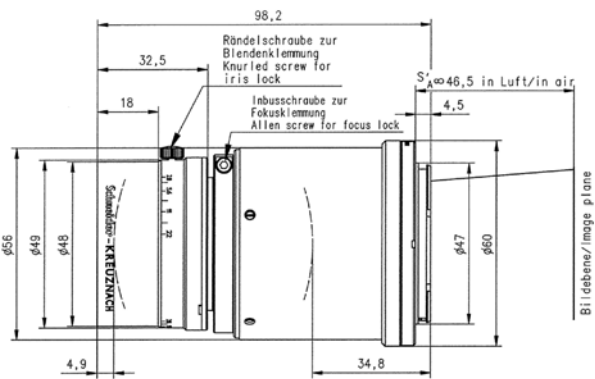
- Machine vision and other imaging applications
- Quality control
- Web inspection
- Surface inspection
- Line scan applications

Technical Specifications	XENON-EMERALD 2.2/50
F-number	2.2
Focal length	50 mm
Image circle	43.2 mm
Transmission 400-1000nm	400 - 1000 nm
Interface	F-Mount
Weight	203 gr.
Option	Other interface on request



F-Mount lenses

Technical Specifications	XENON-EMERALD 2.8/100
F-number	2.8
Focal length	100 mm
Image circle	43.2 mm
Transmission 400-1000nm	400 - 1000 nm
Interface	F-Mount
Weight	463 gr.
Option	Other interface on request



Contact

Jos. Schneider Optische Werke GmbH
 Ringstraße 132
 55543 Bad Kreuznach
 Germany
 Phone +49 671 601-387
 Fax +49 671 601-286
www.schneiderkreuznach.com/industrialoptics
industrie@schneiderkreuznach.com

Schneider Asia Pacific Ltd.
 20/F Central Tower, 28 Queen's Road
 Central, Hong Kong
 China
 Phone +852 8302 0301
 Fax +852 8302 4722
www.schneider-asiapacific.com
info@schneider-asiapacific.com

Schneider Optics Inc.
 285 Oser Ave.
 Hauppauge, NY 11788
 USA
 Phone +1 631 761-5000
 Fax +1 631 761-5090
www.schneideroptics.com
industrial@schneideroptics.com